

SONY

Hi-Fi Products
Service Bulletin

Sony Service Company : Technical Services
A Division of Sony Corporation of America
Sony Drive, Park Ridge, New Jersey 07656

Model: CDP-C10

No. 18

Subject: Part Number Correction

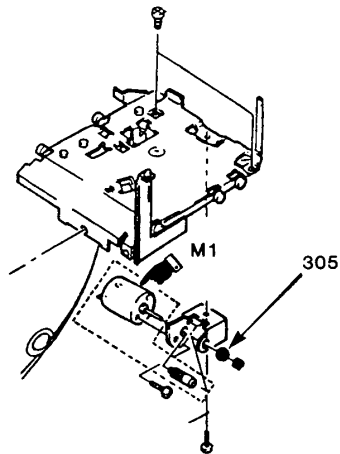
Date: May 9, 1988

Symptom:
(**)

In the exploded view on page 44 of the service manual, a wrong part is shown for item number 305 (stainless ball).

Solution:

The worm gear to which the arrow refers is not available as a separate spare part, but forms part of the motor assembly M1.



Compact Disc
CSA-13

Reference: Europe DA-00588/123/533

PRINTED IN U.S.A.
CSA-13488-2